

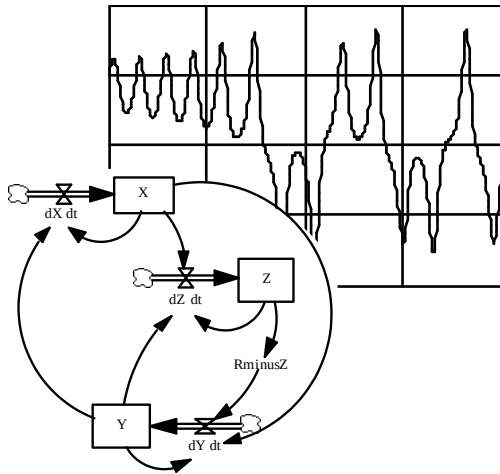
## What is System Dynamics?

System dynamics is a computer-aided approach to policy analysis and design. With origins in servomechanisms engineering and management, the methodology uses a perspective based on information feedback and mutual or recursive causality to understand and manage the dynamics of complex physical, biological, and social systems.

### The Field of System Dynamics

The field developed initially from the work of Jay W. Forrester. His *Industrial Dynamics* (1961) is still a significant statement of philosophy and methodology in the field. Since its publication, the span of applications has grown extensively and encompasses work in

- corporate planning and policy design
- public management and policy
- biological and medical modeling
- energy and the environment
- theory development in the natural and social sciences
- dynamic decision making
- complex nonlinear dynamics



## Activities of the Society

### *The System Dynamics Review*

The Society's journal is published quarterly by John Wiley & Sons, under the editorship of Brian Dangerfield of the University of Salford and an international editorial board. The *Review* publishes high quality, peer-reviewed advances in system dynamics and systems thinking and their applications to societal, technical, managerial, and environmental problems. The journal is abstracted in the relevant major bibliographic information services.

### *International Conferences*

The Society's annual conference is held alternately in North America and Europe, with occasional appearances in Asia and the Pacific Rim. These conferences, and the meetings of local chapters and interest groups, introduce newcomers to the field, keep practitioners aware of current developments, and provide unparalleled networking opportunities.

### *Membership*

Members receive an annual subscription to the *System Dynamics Review* and access to the *Review* online through Wiley InterScience; discounted conference rates; and regular information about activity in the field. Chapters are organized in:

- |               |                 |               |
|---------------|-----------------|---------------|
| • Australasia | • Italy         | • Switzerland |
| • Brazil      | • Japan         | • UK          |
| • China       | • Korea         | • Economic    |
| • Egypt       | • Latin America | • Dynamics    |
| • Hellenic    | • Russia        | • Student     |

In addition, a growing number of special interest groups are active, including:

- |                          |                 |
|--------------------------|-----------------|
| • Business               | • Health Policy |
| • Environmental Dynamics | • Security      |
| • Higher Education       |                 |

## Resources

### *The Production-Distribution (Beer) Game*

Complete game kits for this deeply insightful introduction to the power of a dynamic systems perspective are available directly from the Society. The purpose of the game is to illustrate the key principle that *structure produces behavior*. For more information, contact the Society or see [www.systemdynamics.org](http://www.systemdynamics.org)

### *The Forrester Seminar Series*

The Society is proud to present this series of videotaped discussions with the founder of the field, Jay W. Forrester. The eleven three-hour sessions address a variety of topics which should be of interest and benefit to any student or practitioner in the field. An accompanying CD contains suggested readings for each session. May be ordered singly or as a set.

### *The Literature Collection*

The MIT System Dynamics Group Literature Collection was selected by Jay W. Forrester. The collection spans nearly fifty years of work in system dynamics, and reveals a rich historical point of view. Included are over 3500 D-memos, along with theses, publications, the Guided Study Program, the Road Map series and miscellaneous selected papers. Available on DVD.

### *The System Dynamics Bibliography*

The Society maintains an active database of publications in the field, which is available online on a shareware basis (free to members) at [www.systemdynamics.org](http://www.systemdynamics.org) or on disk from the Society.

### *Previous Publications*

Most past editions of conference proceedings (1986 - 2004) and the *System Dynamics Review* (1985 - 2004) are available from the Society.

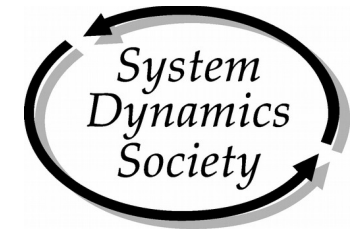
## Contact the Society

### **Roberta L. Spencer, Executive Director**

System Dynamics Society  
Milne 300 – Rockefeller College  
University at Albany  
Albany, NY 12222 USA  
Phone +1 518 442 3865  
Fax +1 518 442 3398  
[system.dynamics@albany.edu](mailto:system.dynamics@albany.edu)  
[www.systemdynamics.org](http://www.systemdynamics.org)

### **Graham W. Winch, President**

University of Plymouth  
Plymouth Business School, Drake Circus  
Plymouth PL4 8AA UK  
[graham.winch@plymouth.ac.uk](mailto:graham.winch@plymouth.ac.uk)



## Society Sponsors

- Amber Blocks Ltd.** New York, New York, USA  
**Asthma 2000 Group and Innovative Clinical Systems** Shreveport, Louisiana, USA  
**Atrivé** Zeist and Best, The Netherlands  
**Bolide Pty. Ltd.** Frenchs Forest, NSW, Australia  
**Booz Allen Hamilton** McLean, Virginia, USA  
**BP** Global locations  
**Brand Management Group** Oslo, Norway  
**CALIBRE** Alexandria, Virginia, USA  
**Decision Dynamics, Inc.** Bethesda, Maryland, USA  
**Delft University of Technology** Delft, The Netherlands  
**Deutsche Lufthansa AG** Frankfurt, Germany  
**Jay W. Forrester** Cambridge, Massachusetts, USA  
**General Motors** Detroit, Michigan, USA  
**Hall, Vasil & Dowd, CPA's** Belmont, Massachusetts, USA

*sponsors continued on reverse*

## Society Sponsors *continued*

**HVR Consulting Services Ltd.** Alton, Hampshire,  
UK

**isee systems** Lebanon, New Hampshire, USA

**ITP Consultores** Caracas, Venezuela

**Ledet Enterprises, Inc.** Humble, Texas, USA

**Master Systems, Inc.** Carlsbad, California, USA

**Minase BV** Tilburg, The Netherlands

**Mohaseboon Financial and Business  
Consultants** Cairo, Egypt

**Northwater Capital Management, Inc.**  
Toronto, Canada

**OLM Consulting** Teddington, Middlesex, UK

**PA Consulting** Cambridge, Massachusetts, USA

**PAR-Group, Nijmegen School of  
Management, Radboud University  
Nijmegen** Nijmegen, The Netherlands

**Pegasus Communications, Inc.** Waltham,  
Massachusetts, USA

**Plug Power, Inc.** Latham, New York, USA

**Powersim Solutions, Inc.** Herndon, Virginia, USA

**Project Performance Corporation** McLean,  
Virginia, USA

**Proverbs Corporation** Prague, Czech Republic

**Proyectos Comerciales de México, S.A. de C.V.**  
una empresa de Grupo Proyectos, Querétaro, México

**Rockefeller College of Public Affairs and Policy,  
University at Albany** Albany, New York, USA

**SAIC Science Applications International  
Corporation** San Diego, California, USA

**Toshiro Shimada** JSD Chapter, Tokyo, Japan

**System Dynamics Group, MIT**  
Cambridge, Massachusetts, USA

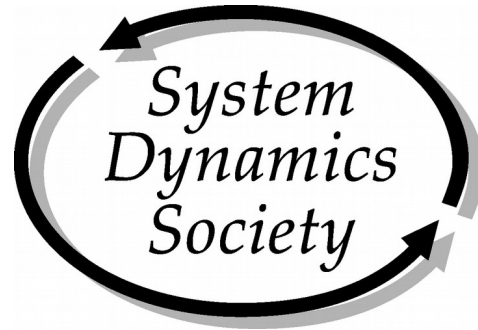
**System Dynamics Group, University of  
Bergen** Bergen, Norway

**Tecnológico de Monterrey** Monterrey, México

**University of Salford, Centre for Operational  
Research and Applied Statistics** Salford, UK

**Ventana Systems, Inc.** Harvard, Massachusetts, USA

**Ventana Systems UK** Salisbury, Wiltshire, UK



**Promoting the rigorous study of  
systems and their behavior  
using computer simulation and a  
feedback perspective  
for policy analysis and design**

The *System Dynamics Society* is an international non-profit organization devoted to encouraging the development and use of system dynamics and systems thinking around the world.

With members in over sixty countries, the Society provides a forum in which

- researchers
- educators
- consultants
- practitioners in corporate and public sectors

interact to introduce newcomers to the field, keep abreast of current developments, and build on each other's work.