

## Appendix A Additional Figures Omitted from the Main Text Due to File Size Limit

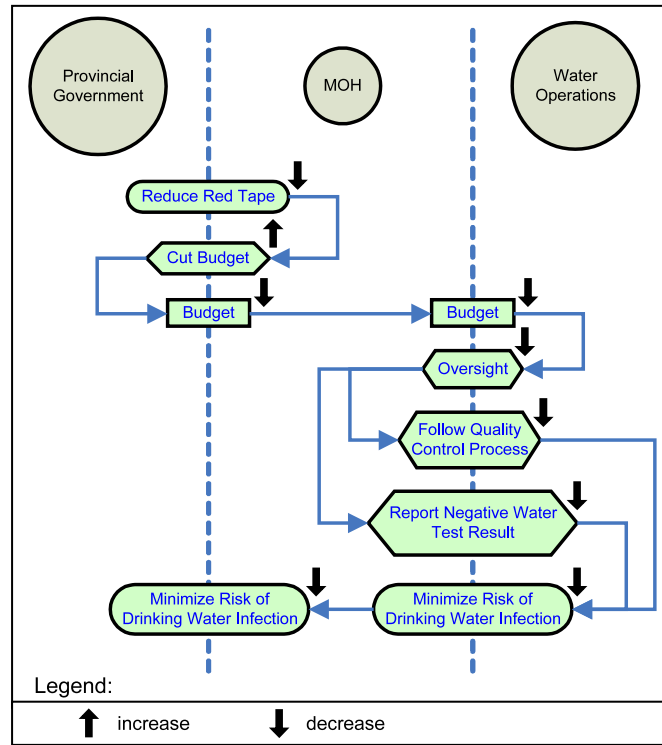


Figure 4. Consequence Analysis of Decreasing Budget to MOH

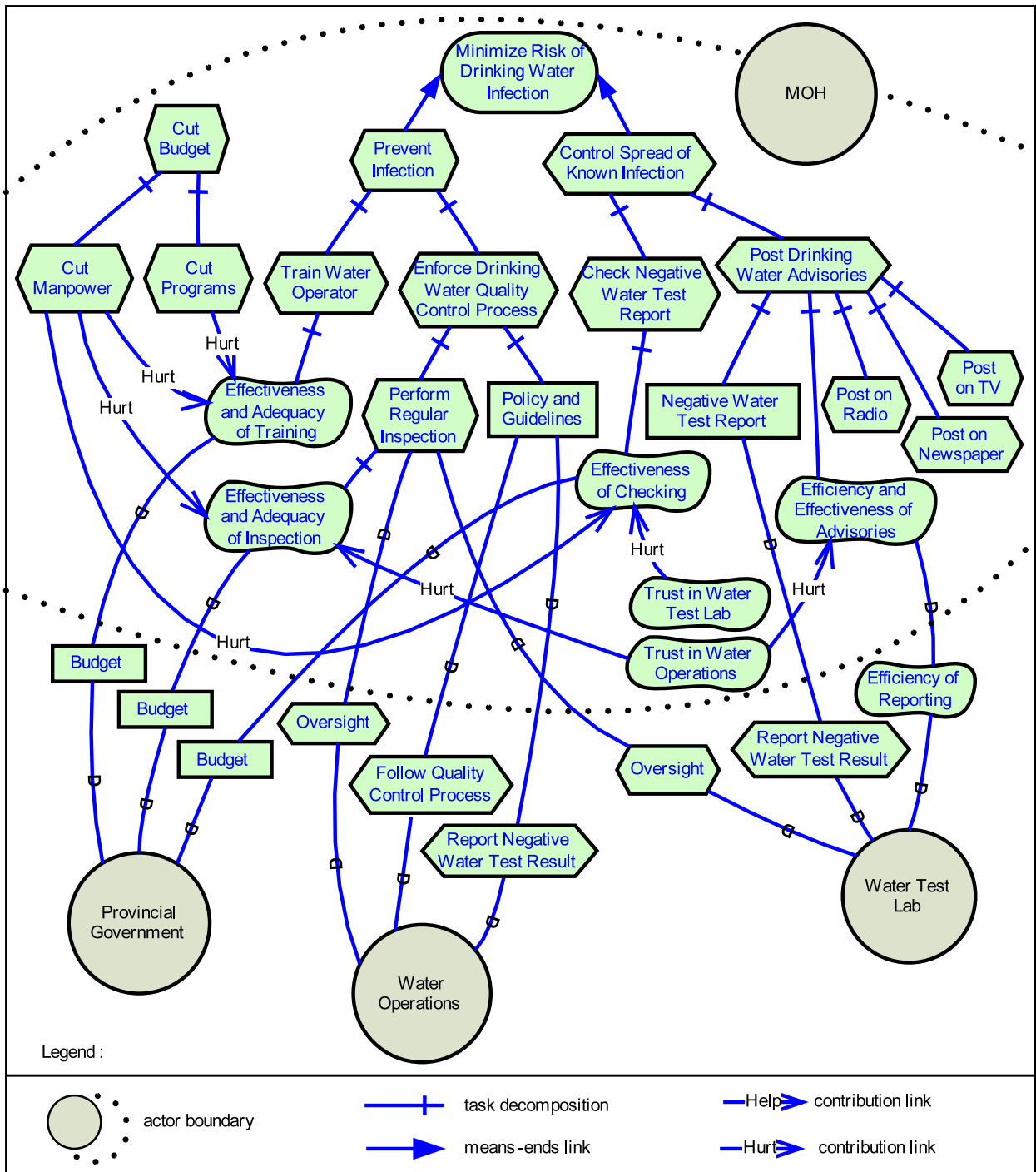


Figure 5. SR Model of Drinking Water Quality Control System from the Viewpoint of MOH

Cause-Effect Links (System Dynamics)	Intentional Links (SR)
	—Help—> —Make—>
	—Hurt—> —Break—>

Figure 6. Correspondence between Cause-Effect Links and Intentional Links

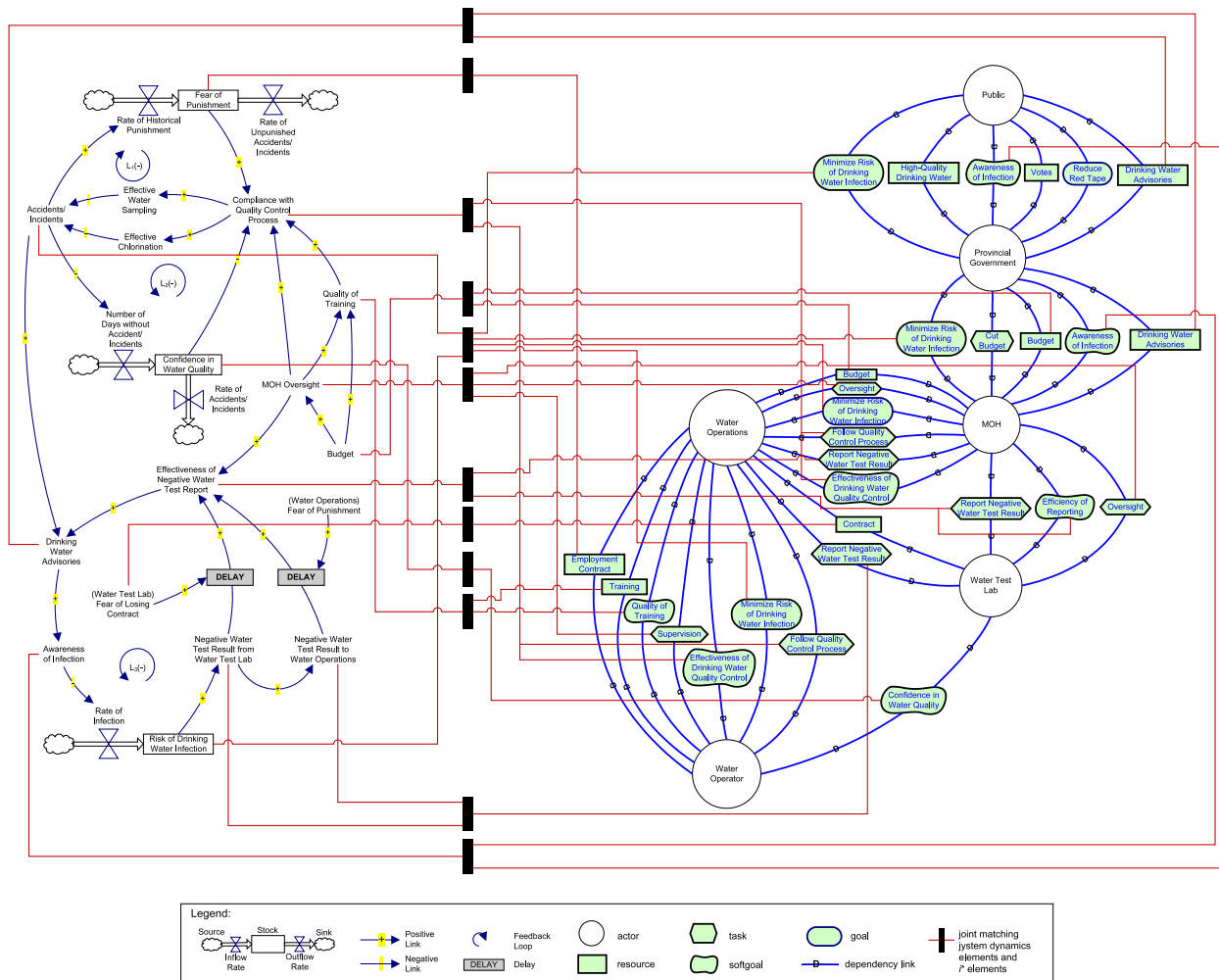


Figure 7. Mapping System Dynamics Model Elements to *i\** SD Model Elements

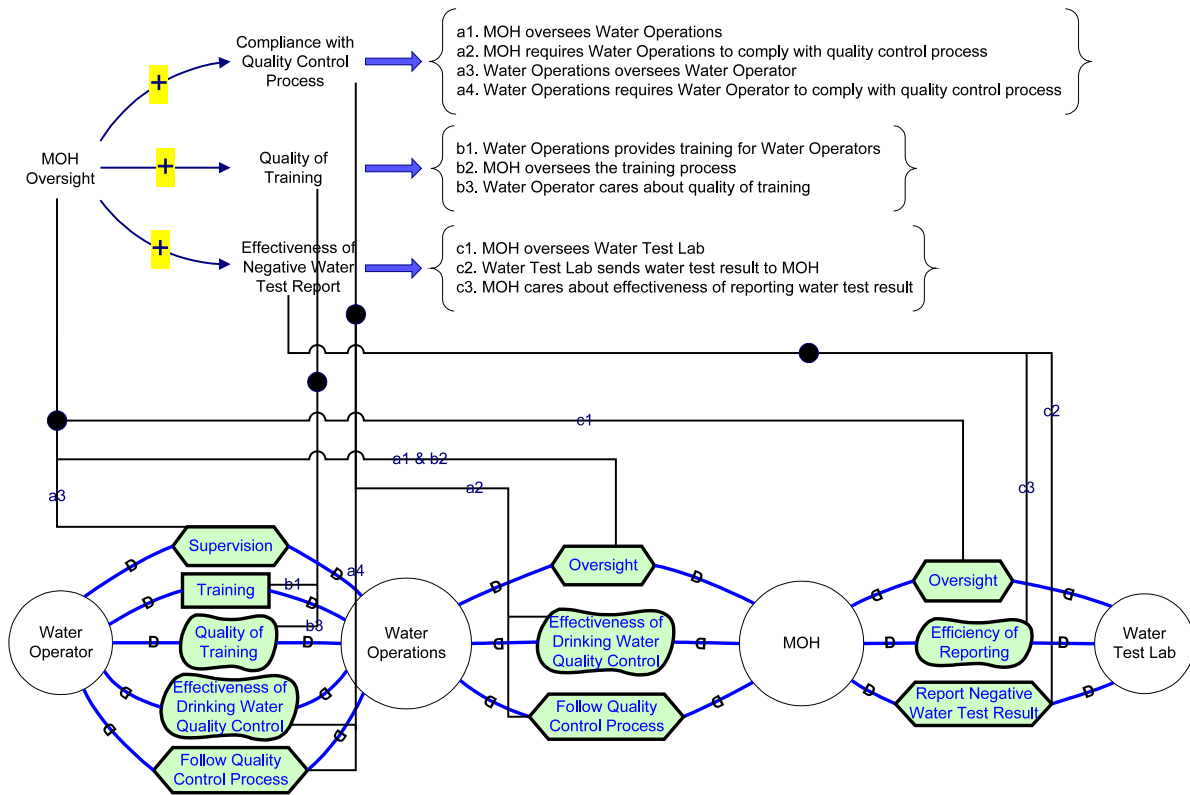


Figure 8. Example Mapping Process

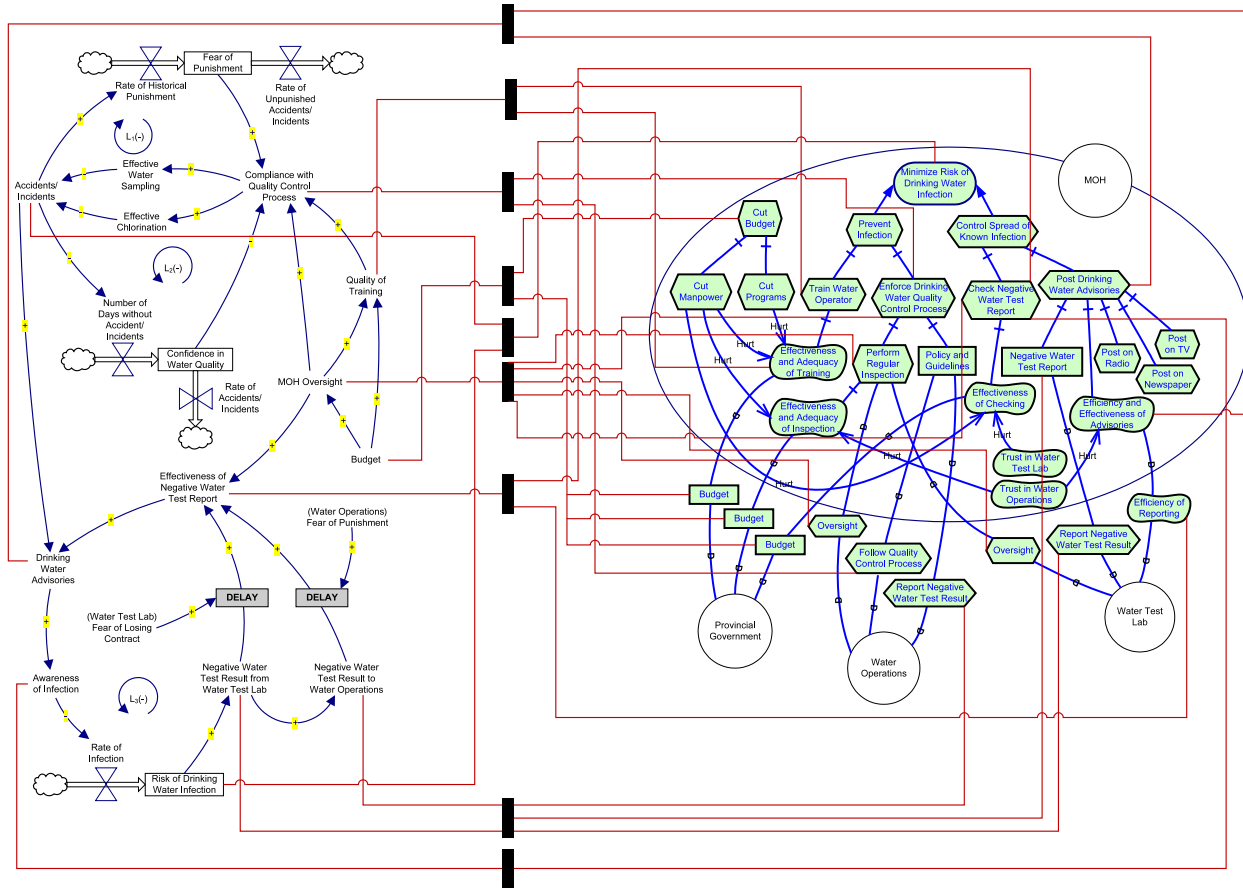


Figure 9. Mapping System Dynamics Model Elements to  $i^*$  SR Model Elements

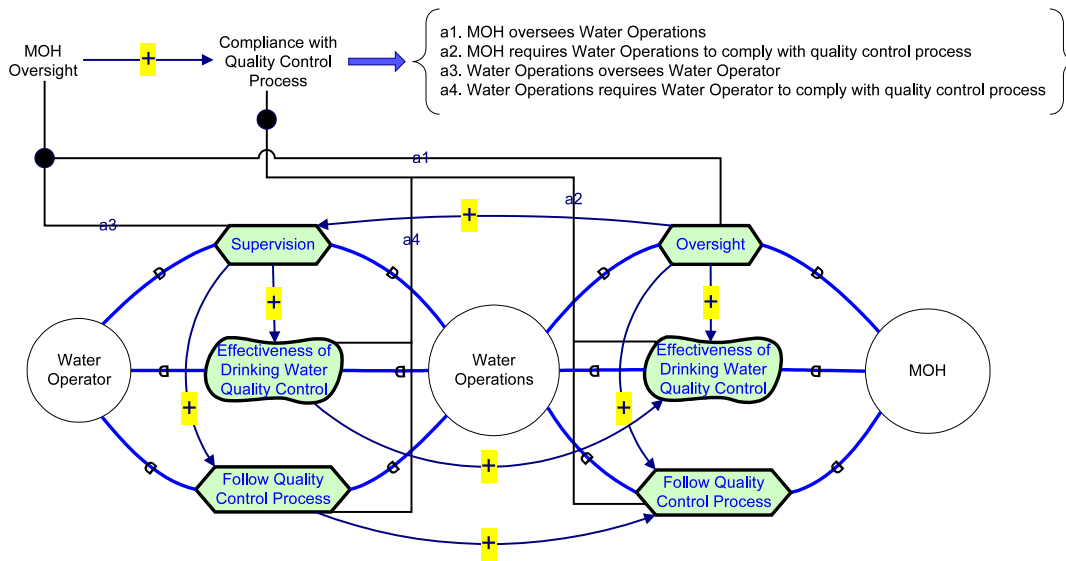


Figure 10. Migrating Causal Links to  $i^*$  Model

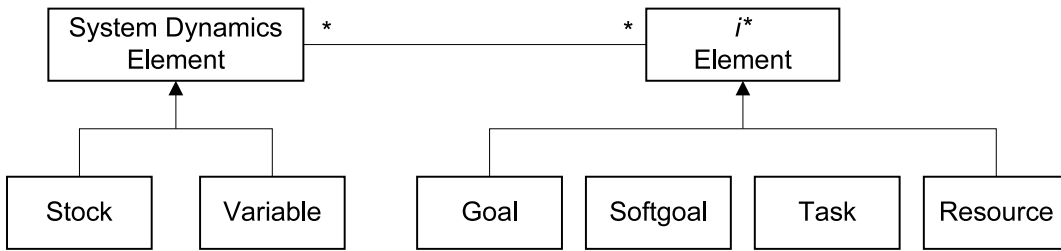


Figure 11. Cardinality of Mapping System Dynamics and  $i^*$  Elements

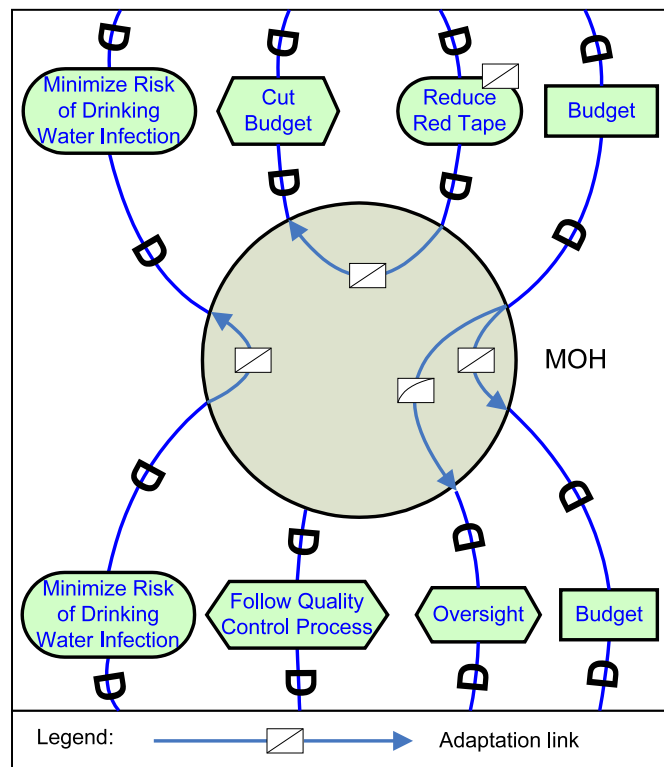
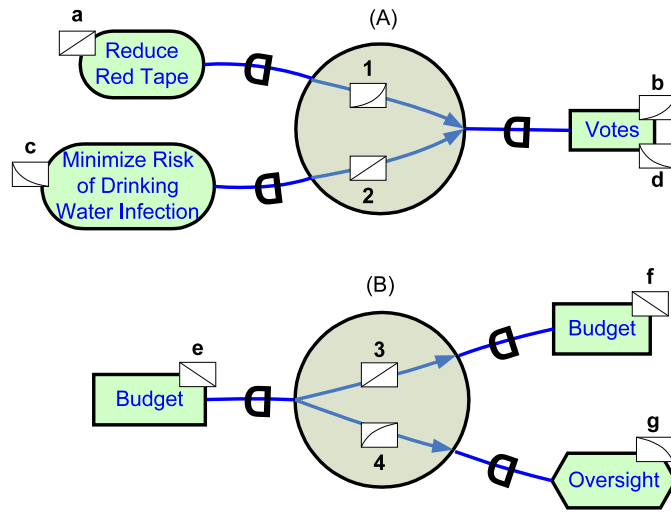
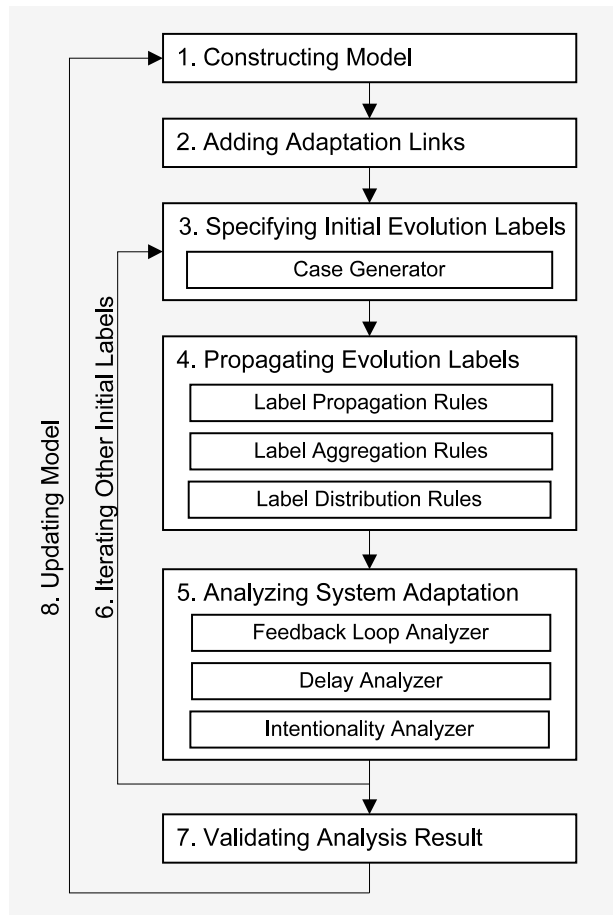


Figure 12. Adaptation Links



**Figure 13. Label Aggregation and Distribution**



**Figure 14. Analysis Process**

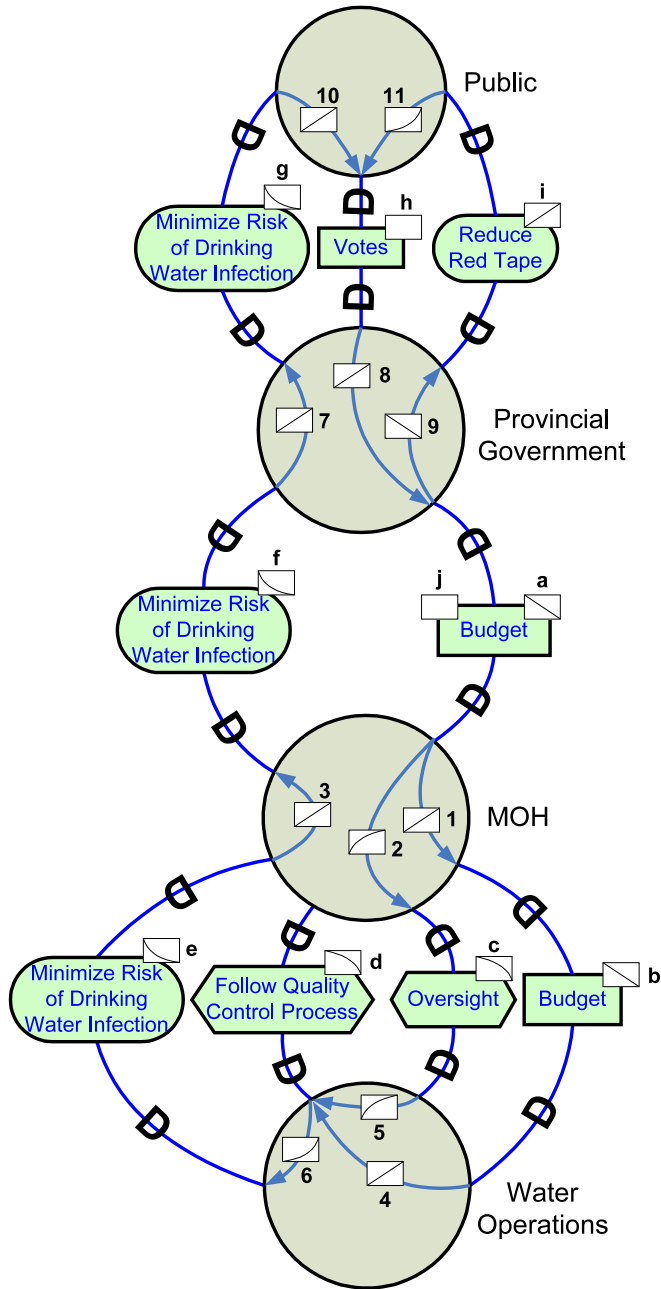


Figure 15. Evolution Adaptation Analysis