

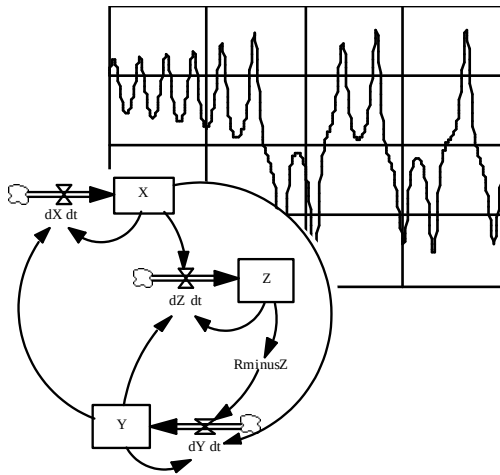
What is System Dynamics?

System dynamics is a computer-aided approach to policy analysis and design. With origins in servomechanisms engineering and management, the methodology uses a perspective based on information feedback and mutual or recursive causality to understand and manage the dynamics of complex physical, biological, and social systems.

The Field of System Dynamics

The field developed initially from the work of Jay W. Forrester. His *Industrial Dynamics* (1961) is still a significant statement of philosophy and methodology in the field. Since its publication, the span of applications has grown extensively and encompasses work in

- corporate planning and policy design
- public management and policy
- biological and medical modeling
- energy and the environment
- theory development in the natural and social sciences
- dynamic decision making
- complex nonlinear dynamics



Activities of the Society

The System Dynamics Review

The Society's journal is published quarterly by John Wiley & Sons, under the editorship of Brian Dangerfield of the University of Salford and an international editorial board. The *Review* publishes high quality, peer-reviewed advances in system dynamics and systems thinking and their applications to societal, technical, managerial, and environmental problems. The journal is abstracted in the relevant major bibliographic information services.

International Conferences

The Society's annual conference is held alternately in North America and Europe, with occasional appearances in Asia and the Pacific Rim. These conferences, and the meetings of local chapters and interest groups, introduce newcomers to the field, keep practitioners aware of current developments, and provide unparalleled networking opportunities.

Membership

Members receive an annual subscription to the *System Dynamics Review* and access to the *Review* online through Wiley InterScience; discounted conference rates; and regular information about activity in the field. Chapters are organized in:

- | | | |
|---------------|-----------------|---------------|
| • Australasia | • Japan | • Switzerland |
| • Brazil | • Korea | • UK |
| • China | • Latin America | • Economics |
| • Egypt | • Pakistan | • Psychology |
| • Hellenic | • Russia | • Student |
| • Italy | | |

In addition, a growing number of special interest groups are active, including:

- | | |
|---------------|---|
| • Business | • Health Policy |
| • Environment | • Information Science and Information Systems |
| • Education | |
| • Energy | • Security |

Resources

The Production-Distribution (Beer) Game

Complete game kits for this deeply insightful introduction to the power of a dynamic systems perspective are available directly from the Society. The purpose of the game is to illustrate the key principle that *structure produces behavior*. For more information, contact the Society or see www.systemdynamics.org.

The Forrester Seminar Series on DVD

The Society is proud to present this series of discussions with the founder of the field, Jay W. Forrester. The eleven three-hour sessions address a variety of topics which should be of interest and benefit to any student or practitioner in the field. An accompanying CD contains suggested readings for each session. May be ordered singly or as a set, in PAL or NTSC format.

The Literature Collection on DVD

The MIT System Dynamics Group Literature Collection was selected by Jay W. Forrester. The collection spans nearly fifty years of work in system dynamics, and reveals a rich historical point of view. Included are over 3500 D-memos, along with theses, publications, the Guided Study Program, the Road Map series and miscellaneous selected papers.

The System Dynamics Bibliography

The Society maintains an active database of publications in the field, which is available online at www.systemdynamics.org.

Conference Proceedings

Most past editions of conference proceedings (1986 - 2006) are available, some with CD, from the Society. Beginning with the 1997 conference, full papers are available on our website, www.systemdynamics.org.

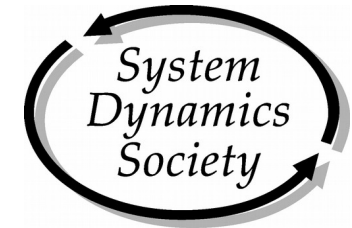
Contact the Society

Roberta L. Spencer, Executive Director

System Dynamics Society
Milne 300 – University at Albany
Albany, NY 12222 USA
Phone +1 518 442 3865
Fax +1 518 442 3398
system.dynamics@albany.edu
www.systemdynamics.org

Qifan Wang, President

Professor, Fudan and Tongji Universities
Dean, Development Inst. of Tongji University
Yunchou Building, No. 1239 Siping Road
200092 Shanghai, China
qfwang@fudan.edu.cn



Society Sponsors

Amber Blocks Ltd. New York, New York, USA

Atrivé Houten, The Netherlands

Bolide Pty. Ltd. Frenchs Forest, NSW, Australia

Booz Allen Hamilton McLean, Virginia, USA

BP Global locations

CALIBRE Alexandria, Virginia, USA

Decision Dynamics, Inc. Bethesda, Maryland, USA

Delft University of Technology Delft, The Netherlands

Deutsche Lufthansa AG Frankfurt, Germany

e-integrate Brussels, Belgium

Evans & Peck Pty. Ltd. East Roseville, Australia

sponsors continued on reverse

Society Sponsors *continued*

Jay W. Forrester Cambridge, Massachusetts, USA

General Motors Detroit, Michigan, USA

Georgia-Pacific Corp. Atlanta, Georgia, USA

isee systems Lebanon, New Hampshire, USA

Ledet Enterprises, Inc. Humble, Texas, USA

Master Systems, Inc. Carlsbad, California, USA

**Mohaseboon Financial and Business
Consultants** Cairo, Egypt

Northwater Capital Management, Inc.
Toronto, Canada

PA Consulting Cambridge, Massachusetts, USA

**PAR-Group, Nijmegen School of
Management, Radboud University
Nijmegen** Nijmegen, The Netherlands

Pegasus Communications, Inc. Waltham,
Massachusetts, USA

Plug Power, Inc. Latham, New York, USA

Powersim Solutions, Inc. Herndon, Virginia, USA

Proverbs Corporation Prague, Czech Republic

Proyectos Comerciales de México, S.A. de C.V.
una empresa de Grupo Proyectos, Querétaro, México

**Rockefeller College of Public Affairs and Policy,
University at Albany** Albany, New York, USA

Toshiro Shimada JSD Chapter, Tokyo, Japan

System Dynamics Group, MIT
Cambridge, Massachusetts, USA

**System Dynamics Group, University of
Bergen** Bergen, Norway

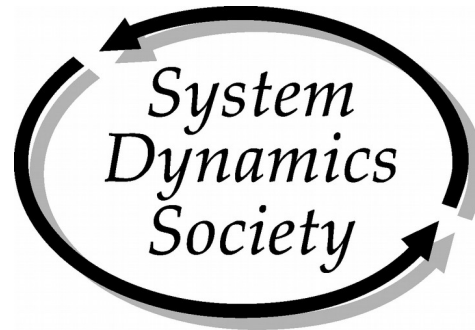
Tecnológico de Monterrey Monterrey, México

**University of Salford, Centre for Operational
Research and Applied Statistics** Salford, UK

Ventana Systems, Inc. Harvard, Massachusetts, USA

Ventana Systems UK Salisbury, Wiltshire, UK

Worcester Polytechnic Institute (WPI)
Worcester, Massachusetts, USA



**Promoting the rigorous study of
systems and their behavior
using computer simulation and a
feedback perspective
for policy analysis and design**

The *System Dynamics Society* is an international non-profit organization devoted to encouraging the development and use of system dynamics and systems thinking around the world.

With members in over sixty countries, the Society provides a forum in which

- researchers
- educators
- consultants
- practitioners in corporate and public sectors

interact to introduce newcomers to the field, keep abreast of current developments, and build on each other's work.