

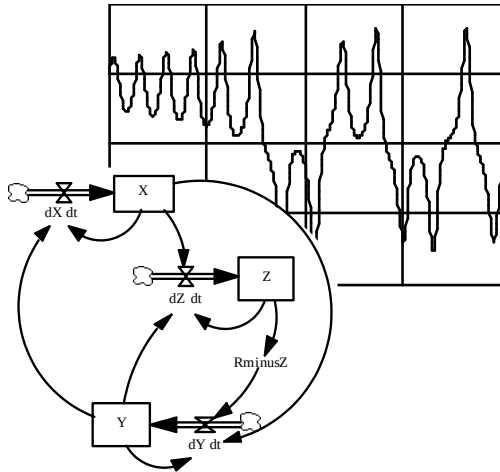
## What is System Dynamics?

System dynamics is a computer-aided approach to policy analysis and design. With origins in servomechanisms engineering and management, the methodology uses a perspective based on information feedback and mutual or recursive causality to understand and manage the dynamics of complex physical, biological, and social systems.

## The Field of System Dynamics

The field developed initially from the work of Jay W. Forrester. His *Industrial Dynamics* (1961) is still a significant statement of philosophy and methodology in the field. Since its publication, the span of applications has grown extensively and encompasses work in

- corporate planning and policy design
- public management and policy
- biological and medical modeling
- energy and the environment
- theory development in the natural and social sciences
- dynamic decision making
- complex nonlinear dynamics



## Activities of the Society

### The System Dynamics Review

The Society's journal is published quarterly by John Wiley & Sons, under the editorship of Graham Winch of the University of Plymouth and an international editorial board. The *Review* publishes high quality, peer-reviewed advances in system dynamics and systems thinking and their applications to societal, technical, managerial, and environmental problems.

The *Review* is abstracted in Cambridge Scientific Abstracts, CC/Social & Behavioral Sciences, Computing Reviews, Geobase, Geographical Abstracts: Human Geography, Research Alert (ISI), and the Social Sciences Citation Index (ISI).

### International Conferences

The Society's annual international conference is held alternately in North America and Europe, with occasional appearances in Asia and the Pacific Rim. These conferences, and the meetings of local chapters and interest groups, introduce newcomers to the field, keep practitioners aware of current developments, and provide unparalleled networking opportunities.

Proceedings in print and/or on CD-ROM can be ordered from the Society. Conferences will make use of the Internet to disseminate conference information.

### Society Chapters

- Australasia
- China
- Italy
- Japan
- Korea
- UK

## Membership

A subscription to the *System Dynamics Review* is included with membership in the Society. Send membership fee and address information to:

Sarah Stevens  
John Wiley and Sons  
Journal Administration  
1 Oldlands Way, Bognor Regis  
West Sussex PO22 9SA UK  
Or e-mail: [sasteven@wiley.co.uk](mailto:sasteven@wiley.co.uk)

## Resources

### The Production-Distribution (Beer) Game

Complete game kits for this deeply insightful introduction to the power of a dynamic systems perspective are available directly from the Society. For more information see the Society web page <http://www.systemdynamics.org/>

### The System Dynamics Bibliography

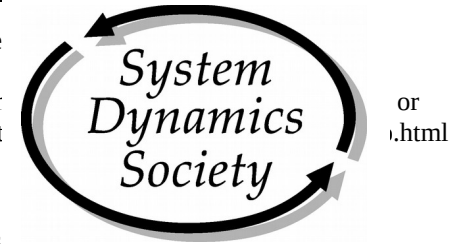
The Society maintains an active database of publications in the field, which is available online on a shareware basis at <http://www.systemdynamics.org> or on disk from the Society.

### Previous Publications

Most past editions of conference proceedings (1986 - 2000) and the *System Dynamics Review* (1985 - 2000) are available from the Society. Issues of the *Review* from 2001 may be obtained directly from the publisher, John Wiley, at the membership address.

## System Dynamics Literature

Gene  
Send  
dynar  
see ht  
K-12  
Send  
k-12s



### Spanish language communication:

Send the message "subscribe dinamica-sistemas" to [majordomo@campus.mty.itesm.mx](mailto:majordomo@campus.mty.itesm.mx)

### Sustainability Interest Group:

Visit <http://groups.yahoo.com/group/SDsustain>, or send a blank message to [SDsustain-subscribe@yahoogroups.com](mailto:SDsustain-subscribe@yahoogroups.com)

### Some Websites of Interest

Society executive office:  
<http://www.systemdynamics.org/>

Introductory information:  
<http://sysdyn.mit.edu/sd-intro/home.html>

Overviews and links by Ventana Systems:  
<http://www.vensim.com/resource.html>

System Dynamics/Systems Thinking Mega Link List by Günther Ossimitz:  
<http://www.uni-klu.ac.at/users/gossimit/links/bookmksd.htm>

Programs and study sites around the world:  
[http://www.systemdynamics.org/courses\\_in\\_sd.htm](http://www.systemdynamics.org/courses_in_sd.htm)

System Dynamics in Education site at MIT:  
<http://sysdyn.mit.edu/>

Dr. Ali N. Mashayekhi, Society President  
Graduate School of Management and Economics  
Sharif University of Technology  
PO Box 11365-8639  
Azadi Avenue, Tehran, Iran  
Phone: +98 (21) 602-2755-8  
Fax: +98 (21) 602-2759  
E-mail: [mashayek@sina.sharif.ac.ir](mailto:mashayek@sina.sharif.ac.ir)

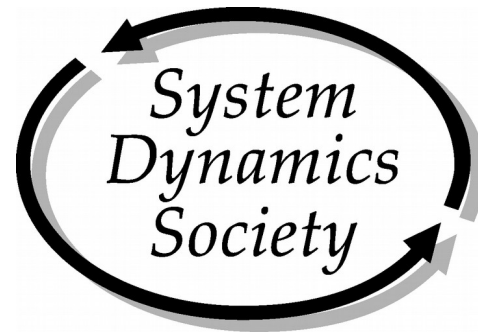
## ***Sponsors of the System Dynamics Society***

A.T. Kearney, Inc., Atlanta, GA, USA  
Amber Blocks Ltd., New York, NY, USA  
Accenture, Global Locations  
Arthur Andersen, Global Locations  
BRB Consulting, Salisbury, Wiltshire, UK  
Cognitus Ltd., North Yorkshire, UK  
Jay W. Forrester, Cambridge, MA, USA  
General Motors Corporation, Detroit, MI, USA  
Georgia-Pacific Corp., Atlanta, GA, USA  
Hall, Vasil & Dowd, CPA's, Belmont, MA, USA  
Hewlett-Packard Co., Palo Alto, CA, USA  
High Performance Systems, Hanover, NH, USA  
HVR Consulting Services Ltd., Alton,  
Hampshire, UK  
Intel Corporation, Global Locations  
ITP Consultores, Caracas, Venezuela  
KBS (Knowledge Based Simulation), Paris, France  
Nijmegen School of Management, Nijmegen  
University, Nijmegen, The Netherlands  
Pegasus Communications, Waltham, MA, USA  
Powersim, USA, Norway, and UK  
Project Performance Corp., McLean, VA, USA  
Proyectos Comerciales de México, S.A. de  
C.V., una empresa de Grupo Proyectos,  
Querétaro, México  
PricewaterhouseCoopers, Global Locations  
PA Consulting Group (including the former Pugh-  
Roberts Associates), Cambridge, MA, USA  
Rockefeller College of Public Affairs and  
Policy, University at Albany, NY, USA  
Strategic Clarity, Austin, TX, USA  
System Dynamics Group, Massachusetts Institute  
of Technology, Cambridge, MA, USA  
University of Bergen, Department of  
Information Science, Bergen, Norway  
Ventana Systems, Inc., Harvard, MA, USA

***For more information on the Society, our  
sponsors, and the field of System Dynamics  
please contact:***

Roberta L. Spencer, Executive Director  
**System Dynamics Society**  
Milne 300 - Rockefeller College  
University at Albany  
Albany, New York 12222 USA  
Phone: (518) 442-3865 Fax: (518) 442-3398

E-mail: [system.dynamics@albany.edu](mailto:system.dynamics@albany.edu)  
<http://www.systemdynamics.org/>



**Promoting the use of  
computer simulation  
and a feedback perspective  
for policy analysis and design**

The ***System Dynamics Society*** is an international non-profit organization devoted to encouraging the development and use of system dynamics and systems thinking around the world.

With members in fifty-five countries, the Society provides a forum in which

- researchers
- educators
- consultants
- practitioners in corporate and public sectors

interact to introduce newcomers to the field, keep abreast of current developments, and build on each other's work.