

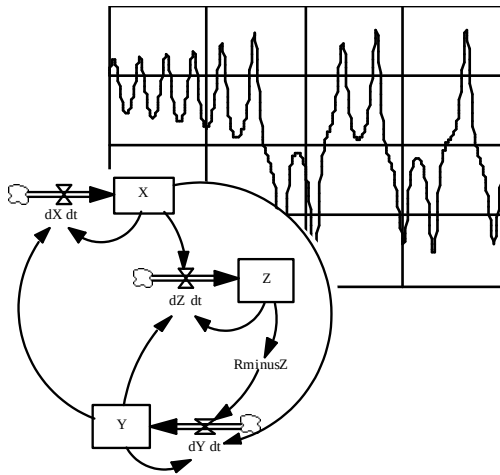
What is System Dynamics?

System dynamics is a computer-aided approach to policy analysis and design. With origins in servomechanisms engineering and management, the methodology uses a perspective based on information feedback and mutual or recursive causality to understand and manage the dynamics of complex physical, biological, and social systems.

The Field of System Dynamics

The field developed initially from the work of Jay W. Forrester. His *Industrial Dynamics* (1961) is still a significant statement of philosophy and methodology in the field. Since its publication, the span of applications has grown extensively and encompasses work in

- corporate planning and policy design
- public management and policy
- biological and medical modeling
- energy and the environment
- theory development in the natural and social sciences
- dynamic decision making
- complex nonlinear dynamics



Activities of the Society

The System Dynamics Review

The Society's journal is published quarterly by John Wiley & Sons, under the editorship of Brian Dangerfield of the University of Salford and an international editorial board. The *Review* publishes high quality, peer-reviewed advances in system dynamics and systems thinking and their applications to societal, technical, managerial, and environmental problems. The journal is abstracted in the relevant major bibliographic information services.

International Conferences

The Society's annual conference is held alternately in North America and Europe, with occasional appearances in Asia and the Pacific Rim. These conferences, and the meetings of local chapters and interest groups, introduce newcomers to the field, keep practitioners aware of current developments, and provide unparalleled networking opportunities.

Membership

Members receive an annual subscription to the *System Dynamics Review* and access to the *Review* online through Wiley InterScience; discounted conference rates; and regular information about activity in the field. Chapters are organized in:

- | | |
|---------------|-----------------|
| • Australasia | • Latin America |
| • Brazil | • Pakistan |
| • China | • Russia |
| • Egypt | • Switzerland |
| • Germany | • UK |
| • Hellenic | • Economics |
| • Italy | • Psychology |
| • Japan | • Student |
| • Korea | |

In addition, a growing number of special interest groups are active, including:

- | | |
|-----------------|---|
| • Business | • Information Science and Information Systems |
| • Environment | • Model Analysis |
| • Education | • Security |
| • Energy | |
| • Health Policy | |

Resources

The Production-Distribution (Beer) Game

Complete game kits for this deeply insightful introduction to the power of a dynamic systems perspective are available directly from the Society. The purpose of the game is to illustrate the key principle that *structure produces behavior*. For more information, contact the Society or see www.systemdynamics.org.

The Literature Collection on DVD

The MIT System Dynamics Group Literature Collection was selected by Jay W. Forrester. The collection spans nearly fifty years of work in system dynamics, and reveals a rich historical point of view. Included are over 3500 D-memos, along with theses, publications, the Guided Study Program, the Road Map series and miscellaneous selected papers.

The Forrester Seminar Series on DVD

The Society is proud to present this series of discussions with the founder of the field, Jay W. Forrester. The eleven three-hour sessions address a variety of topics which should be of interest and benefit to any student or practitioner in the field. An accompanying CD contains suggested readings for each session.

The System Dynamics Bibliography

The Society maintains an active database of publications in the field, which is available online at www.systemdynamics.org.

The Electronic Oracle

A new reprint of the original 1985 book by Donella H. Meadows and Jennifer M. Robinson. New forewords by Dennis Meadows and John Sterman are included.

Fireside Chat with Jay W. Forrester

George Richardson's wide-ranging and often humorous interview with Jay W. Forrester, now on DVD. Recorded at the Atlanta 2001 International Conference of the System Dynamics Society.

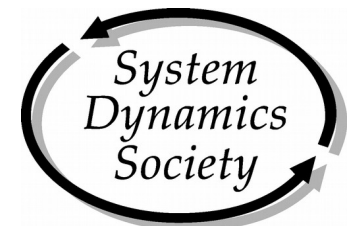
Conference Proceedings

Most past editions of conference proceedings (1986 - 2007) are available, some with CD, from the Society. Beginning with the 1994 conference, full papers are available on our website, www.systemdynamics.org.

Contact the Society

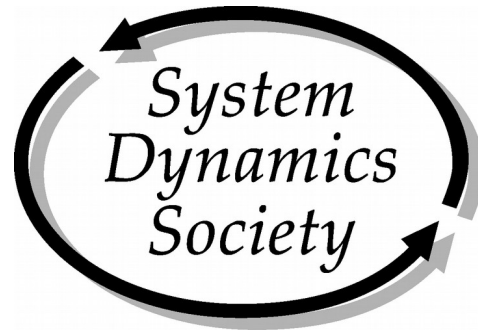
James M. Lyneis, President
Professor of Practice
Worcester Polytechnic Institute
Worcester, Massachusetts, USA
jmlyneis@verizon.net

Roberta L. Spencer, Executive Director
System Dynamics Society
Milne 300 – University at Albany
Albany, NY 12222 USA
Phone +1 (518) 442-3865
Fax +1 (518) 442-3398
office@systemdynamics.org
www.systemdynamics.org



Society Sponsors

Amber Blocks Ltd. New York, New York, USA
Atrivé Houten, The Netherlands
Bolide Pty. Ltd. Frenchs Forest, NSW, Australia
Booz Allen Hamilton McLean, Virginia, USA
BP Global locations
Complexio Paris, France
Decision Dynamics, Inc. Bethesda, Maryland, USA
Delft University of Technology Delft, The Netherlands
e-integrate Brussels, Belgium
Evans & Peck Pty. Ltd. East Roseville, Australia
Forrester Consulting Boca Grande, Florida, USA
Jay W. Forrester Cambridge, Massachusetts, USA
General Motors Detroit, Michigan, USA
Health Market Science King of Prussia, Pennsylvania, USA
Homer Consulting Voorhees, New Jersey, USA
isee systems Lebanon, New Hampshire, USA
Ledet Enterprises, Inc. Humble, Texas, USA
LISTO bvba Waasmunster, Belgium
Mohaseboon Financial and Business Consultants Cairo, Egypt
Murphy Hall & Company, CPA's Burlington, Massachusetts, USA
Northwater Capital Management, Inc. Toronto, Canada
PA Consulting Cambridge, Massachusetts, USA
PAR-Group, Nijmegen School of Management, Radboud University Nijmegen Nijmegen, The Netherlands
Pegasus Communications, Inc. Waltham, Massachusetts, USA
Plug Power, Inc. Latham, New York, USA
Powersim Solutions, Inc. Herndon, Virginia, USA
Proverbs Corporation Prague, Czech Republic
Rockefeller College of Public Affairs and Policy, University at Albany Albany, New York, USA
System Dynamics Group, MIT Cambridge, Massachusetts, USA
System Dynamics Group, University of Bergen Bergen, Norway
Tecnológico de Monterrey Monterrey, México
University of Salford, Centre for Operational Research and Applied Statistics Salford, UK
Ventana Systems, Inc. Harvard, Massachusetts, USA
Ventana Systems UK Salisbury, Wiltshire, UK
Whole Systems Partnership North Yorkshire, UK
Worcester Polytechnic Institute (WPI) Worcester, Massachusetts, USA
XJ Technologies St. Petersburg, Russia



Promoting the rigorous study of systems and their behavior using computer simulation and a feedback perspective for policy analysis and design

The *System Dynamics Society* is an international non-profit organization devoted to encouraging the development and use of system dynamics and systems thinking around the world.

With members in over sixty countries, the Society provides a forum in which

- researchers
- educators
- consultants
- practitioners in corporate and public sectors

interact to introduce newcomers to the field, keep abreast of current developments, and build on each other's work.